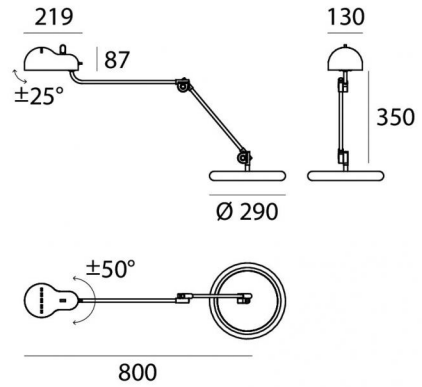


Table Lamps | 220-240 V | 1x7W E27

9077



Technical data	
Construction year	2021
Type	Table Lamps
Installation position	Floor
Installation environment	Indoor
Bulb included	Yes
Lamp cap	1 x E27
Light emission direction	downward
Frequency	50-60 Hz
Optics	Diffused
Safety class	2
IP	IP20
Glow wire test	650°
Direct mounting on normally flammable surfaces	Yes
CE	Yes
Dimmable article	No
Directional	No
Tilting	Yes
total angle (horizontal plane)	100 °
total angle (vertical plane)	50 °
Walk-over	No
Drive-over	No
Cable included	Yes
Electric socket	Type C
Cable length	2.5 m
Resin potting	No
Net weight	6.200 Kg

Finishing casing

Material	metal
Processing	Coating

Finishing base

Material	PE
Colour	black
Processing	Satin finishing

Table Lamps | 220-240 V | 1x7W E27
9077

Single emission table lamps for indoor application. LED lamplamp included, lamp cap E27 1x7W.

The device body is made of metal, processed by means of coating. The ingress protection degree is IP20; the total weight is of 6.200 kg.

The power supply cable is included and features a 2.5 m length.

The device features protection class II and can be floor-mounted.

Compliant with the EN 60598-1 standard and its specific provisions.

Energy efficiency class

This product contains a light source of energy efficiency class E.

Illuminotechnical Features

Colour temperature	2700 K
Colour rendering index	80 Ra
Source lumens	1 x 806 lm
Standard Operating Ambient Temperature	25°C