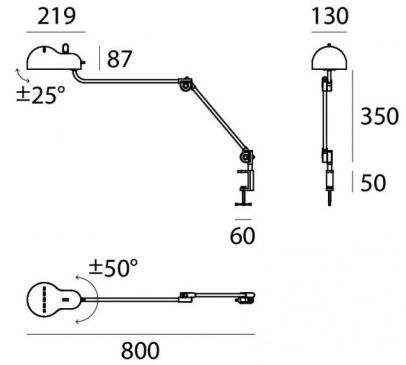


Table Lamps | 220-240 V | 1x7W E27

9075



Technical data	
Designer	Linea Light
Construction year	2021
Type	Table Lamps
Installation position	Floor
Installation environment	Indoor
Bulb included	Yes
Lamp cap	1 x E27
Light emission direction	downward
Frequency	50-60 Hz
Optics	Diffused
Safety class	2
IP	IP20
Glow wire test	650°
Direct mounting on normally flammable surfaces	Yes
CE	Yes
Dimmable article	No
Directional	No
Tilting	Yes
total angle (horizontal plane)	100 °
total angle (vertical plane)	50 °
Walk-over	No
Drive-over	No
Cable included	Yes
Electric socket	Type C
Cable length	2.5 m
Resin potting	No
Net weight	1.1 Kg

Finishing casing

Material	metal
Colour	chrome
Processing	Electroplating

Finishing mounting frame

Material	Aluminium
Colour	Black
Processing	Coating

Table Lamps | 220-240 V | 1x7W E27
9075

Single emission table lamps for indoor application. LED lamplamp included, lamp cap E27 1x7W.

The device body is made of metal and features a chrome finish, processed by means of electroplating; the mounting frame is made of aluminium, with a black finish, processed by means of coating. The ingress protection degree is IP20; the total weight is of 1.1 kg.

The power supply cable is included and features a 2.5 m length.

The device features protection class II and can be floor-mounted.

Compliant with the EN 60598-1 standard and its specific provisions.

Energy efficiency class

This product contains a light source of energy efficiency class E.

Illuminotechnical Features

Colour temperature	2700 K
Colour rendering index	80 Ra
Source lumens	1 x 806 lm
Standard Operating Ambient Temperature	25°C