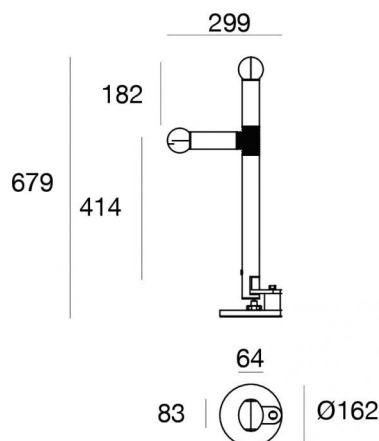


Table Lamps | 220-240 V | 1x7W G9

9056



Technical data	
Type	Table Lamps
Installation position	Floor
Installation environment	Indoor
Bulb included	Yes
Lamp cap	1 x G9
Frequency	50-60 Hz
Optics	Diffused
Safety class	2
IP	IP20
Glow wire test	650°
Direct mounting on normally flammable surfaces	Yes
CE	Yes
Dimmable article	No
Directional	No
Tilting	Yes
total angle (horizontal plane)	330 °
total angle (vertical plane)	180 °
Walk-over	No
Drive-over	No
Cable included	Yes
Electric socket	Type C
Cable length	2 m
Resin potting	No
Net weight	4,295 Kg

Finishing casing	
Material	AISI 304 steel
Processing	Coating
Finishing diffuser	
Material	Glass - Glass
Colour	white - grey
Processing	Satin finishing - Coating
Finishing base	
Material	Iron
Processing	Coating

Table Lamps | 220-240 V | 1x7W G9
9056

Double emission table lamps for indoor application. LED lamplamp included, lamp cap G9 1x7W.

The device body is made of aisi 304 steel, processed by means of coating; the diffuser is made of glass with a satin finishing treatment; the diffuser is made of glass with a coating treatment. The ingress protection degree is IP20;

The power supply cable is included and features a 2 m length.

The device features protection class II and can be floor-mounted.

Compliant with the EN 60598-1 standard and its specific provisions.

Energy efficiency class

This product contains a light source of energy efficiency class F.

Illuminotechnical Features

Colour temperature	3000 K
Colour rendering index	80 Ra
Source lumens	1 x 700 lm
Standard Operating Ambient Temperature	25°C