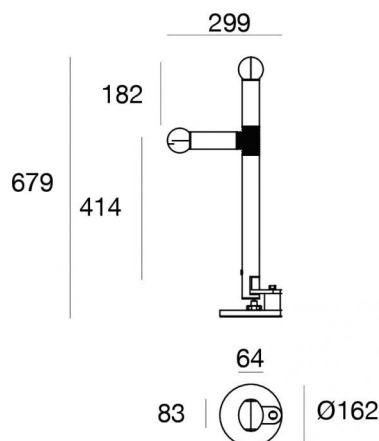


Table Lamps | 220-240 V | 1x7W G9

**9055**



Technical data	
Type	Table Lamps
Installation position	Floor
Installation environment	Indoor
Bulb included	Yes
Lamp cap	1 x G9
Frequency	50-60 Hz
Optics	Diffused
Safety class	2
IP	IP20
Glow wire test	650°
Direct mounting on normally flammable surfaces	Yes
CE	Yes
Dimmable article	No
Directional	No
Tilting	Yes
total angle (horizontal plane)	330 °
total angle (vertical plane)	180 °
Walk-over	No
Drive-over	No
Cable included	Yes
Electric socket	Type C
Cable length	2 m
Resin potting	No
Net weight	4,295 Kg

Finishing casing	
Material	AISI 304 steel
Colour	White RAL 9016
Processing	Coating

Finishing diffuser	
Material	Glass - Glass
Colour	white - grey
Processing	Satin finishing - Coating

Finishing base	
Material	Iron
Processing	Coating

Table Lamps | 220-240 V | 1x7W G9  
**9055**

Double emission table lamps for indoor application. LED lamplamp included, lamp cap G9 1x7W.

The device body is made of aisi 304 steel and features a white ral 9016 finish, processed by means of coating; the diffuser is made of glass with a satin finishing treatment; the diffuser is made of glass with a coating treatment. The ingress protection degree is IP20;

The power supply cable is included and features a 2 m length.

The device features protection class II and can be floor-mounted.

Compliant with the EN 60598-1 standard and its specific provisions.

#### Energy efficiency class

This product contains a light source of energy efficiency class F.

#### Illuminotechnical Features

Colour temperature	3000 K
Colour rendering index	80 Ra
Source lumens	1 x 700 lm
Standard Operating Ambient Temperature	25°C