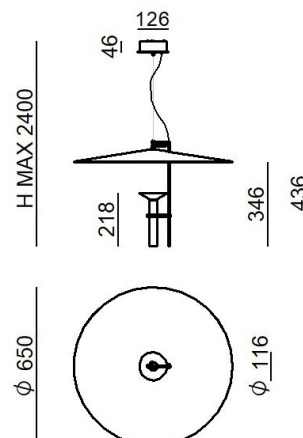


Pendant Luminaires | 220-240 V
1 topLED 25 W DC - 27 W AC | CRI 90

9705M



Technical data	
Type	Pendant Luminaires
Installation position	Ceiling
Installation environment	Indoor
Light Source	LED
Circuit structure	topLED
Optics	Diffused
Light emission direction	downward
Nominal power	25 W DC
Total Power	27 W
Source lumens	2804 lm
Nominal input voltage	220 - 240 V AC
Input voltage range	220 - 240 V AC
Frequency	50 - 60 Hz
CCT / Tone	2700 K
Colour rendering index	90 Ra
C.C. / C.V.	AC
Safety class	1
IP	IP20
Glow wire test	850°
Direct mounting on normally flammable surfaces	Yes
CE	Yes
Driver included	Driver
Dimmable article	DALI-2 - PUSH DIM
Directional	No
Tilting	No
Walk-over	No
Drive-over	No
Cable included	Yes
Cable length	2 m
Resin potting	No
Type of light emission	Double emission
Net weight	3,080 Kg
Electrostatic discharge protection	No
Surge protection	No

Finishing casing

Material	Iron
Colour	Black
Processing	Coating

Finishing diffuser

Material	Aluminium - Aluminium
Colour	White - Black
Processing	Coating - Coating

Finishing mounting frame

Material	Iron
Colour	Black
Processing	Coating

Pendant Luminaires | 220-240 V | 1 topLED 25 W DC - 27 W AC | CRI 90 | Base
9705M

Double emission pendant luminaires for indoor application. The super warm white LED light source with a diffused light distribution is composed of 1 topLEDs with CCT of 2700 K and a CRI 90; the source luminous flux is 2804 lm, with a 112.2 lm/W nominal luminous efficacy.

The device body is made of iron and features a black finish, processed by means of coating; the diffuser is made of aluminium with a coating treatment; the diffuser is made of aluminium with a coating treatment; the mounting frame is made of iron, with a black finish, processed by means of coating. The ingress protection degree is IP20;

The total absorbed power is 27 W The power supply cable is included and features a 2 m length.

The device features protection class I and can be ceiling-mounted.

Compliant with the EN 60598-1 standard and its specific provisions.

Energy efficiency class

This product contains a light source of energy efficiency class G.

Illuminotechnical Features

Light Output Ratio (LOR)	53 %
Source lumens	2804 lm
Delivered lumens	1510 lm
Consumption	27 W
Luminaire efficacy	55 lm/W
Colour temperature	2700 K
Standard Deviation of Colour Matching	3 Step MacAdam
Colour rendering index	90 Ra
Junction temperature (lighting fixture)	80
Standard Operating Ambient Temperature	25°C

LED Life / Failure Ratio

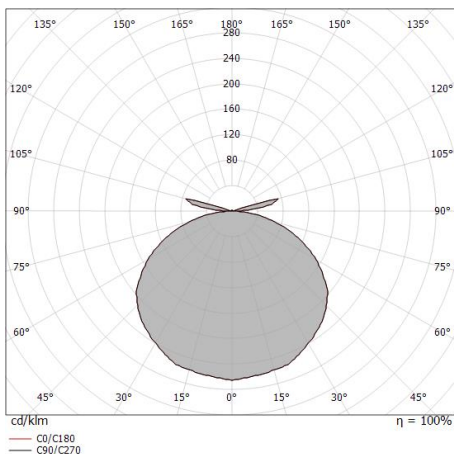
L80 B20 C0 61000h (at Tj 105 Ta 25)

UGR

UGR axial	18
UGR transversal	18
X=4H Y=8H	S=0.25H
Reflection factor	70/50/20

OPTICAL

C0/C180 optics	128°
Light distribution symmetry	Symmetrical



0.5	2.05	E(0°) E(C0)	64.0°	1601 68
1.0	4.10	E(0°) E(C0)	64.0°	400 17
1.5	6.15	E(0°) E(C0)	64.0°	178 8
2.0	8.20	E(0°) E(C0)	64.0°	100 4
2.5	10.25	E(0°) E(C0)	64.0°	64 3
3.0	12.30	E(0°) E(C0)	64.0°	44 2

Distance [m] Cone diameter [m] Illuminance [lx]

— C0/C180 (Half-peak divergence: 128.0°)