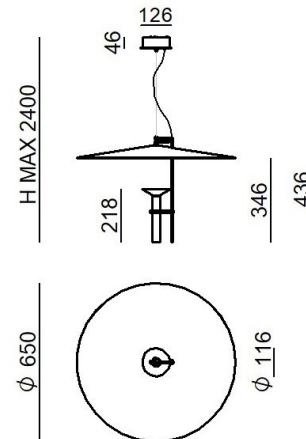


Pendant Luminaires | 220-240 V  
1 topLED 25 W DC - 27 W AC | CRI 90  
**9703**



Technical data	
Type	Pendant Luminaires
Installation position	Ceiling
Installation environment	Indoor
Light Source	LED
Circuit structure	topLED
Optics	Diffused
Light emission direction	downward
Nominal power	25 W DC
Total Power	27 W
Source lumens	3015 lm
Nominal input voltage	220 - 240 V AC
Input voltage range	220 - 240 V AC
Frequency	50 - 60 Hz
CCT / Tone	3000 K
Colour rendering index	90 Ra
C.C. / C.V.	AC
Safety class	1
IP	IP20
Glow wire test	850°
Direct mounting on normally flammable surfaces	Yes
CE	Yes
Driver included	Driver
Dimmable article	DALI-2 - PUSH DIM
Directional	No
Tilting	No
Walk-over	No
Drive-over	No
Cable included	Yes
Cable length	2 m
Resin potting	No
Type of light emission	Double emission
Net weight	3,080 Kg
Electrostatic discharge protection	No
Surge protection	No

**Finishing casing**

Material	Iron
Colour	White
Processing	Coating

**Finishing diffuser**

Material	Aluminium
Colour	White
Processing	Coating

**Finishing mounting frame**

Material	Iron
Colour	White RAL 9003 Matt
Processing	Coating

Pendant Luminaires | 220-240 V | 1 topLED 25 W DC - 27 W AC | CRI 90 | Base 9703

Double emission pendant luminaires for indoor application. The warm white LED light source with a diffused light distribution is composed of 1 topLEDs with CCT of 3000 K and a CRI 90; the source luminous flux is 3015 lm, with a 120.6 lm/W nominal luminous efficacy.

The device body is made of iron and features a white finish, processed by means of coating; the diffuser is made of aluminium with a coating treatment; the mounting frame is made of iron, with a white ral 9003 matt finish, processed by means of coating. The ingress protection degree is IP20;

The total absorbed power is 27 W The power supply cable is included and features a 2 m length.

The device features protection class I and can be ceiling-mounted.

Compliant with the EN 60598-1 standard and its specific provisions.

**Energy efficiency class**

This product contains a light source of energy efficiency class F.

**Illuminotechnical Features**

Light Output Ratio (LOR)	53 %
Source lumens	3015 lm
Delivered lumens	1623 lm
Consumption	27 W
Luminaire efficacy	60 lm/W
Colour temperature	3000 K
Standard Deviation of Colour Matching	3 Step MacAdam
Colour rendering index	90 Ra
Junction temperature (lighting fixture)	80
Standard Operating Ambient Temperature	25°C

**LED Life / Failure Ratio**

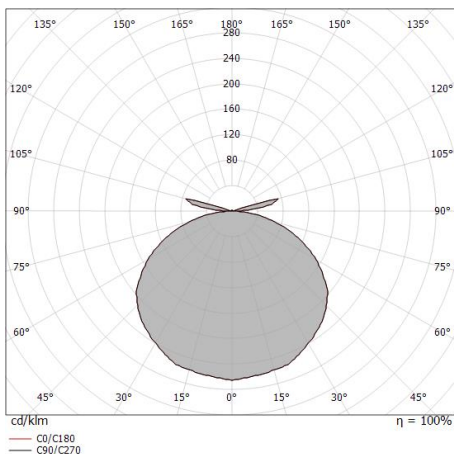
L80 B20 C0 61000h (at Tj 105 Ta 25 )

**UGR**

UGR axial	18.2
UGR transversal	18.2
X=4H   Y=8H	S=0.25H
Reflection factor	70/50/20

**OPTICAL**

C0/C180 optics	128°
Light distribution simmetry	Symmetrical



Distance [m]	Cone diameter [m]	E(0°) E(C0)	64.0°	Illuminance [lx]
0.5	2.05	E(0°) E(C0)	64.0°	1721 73
1.0	4.10	E(0°) E(C0)	64.0°	430 18
1.5	6.15	E(0°) E(C0)	64.0°	191 8
2.0	8.20	E(0°) E(C0)	64.0°	108 5
2.5	10.25	E(0°) E(C0)	64.0°	69 3
3.0	12.30	E(0°) E(C0)	64.0°	48 2

Distance [m] Cone diameter [m] Illuminance [lx]  
 — C0/C180 (Half-peak divergence: 128.0°)