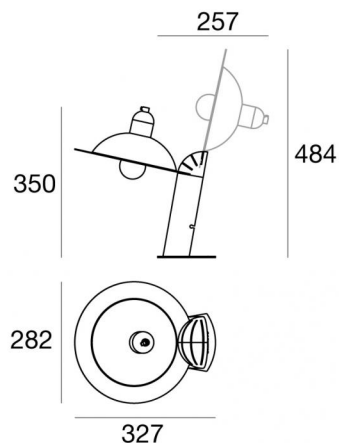


Table Lamps | 220-240 V | 1x7W E27

8973



Technical data	
Designer	De Pas - D'urbino -
Construction year	1971
Type	Table Lamps
Installation position	Floor
Installation environment	Indoor
Bulb included	Yes
Lamp cap	1 x E27
Light emission direction	downward
Frequency	50-60 Hz
Optics	Diffused
Safety class	2
IP	IP20
Glow wire test	650°
Direct mounting on normally flammable surfaces	Yes
CE	Yes
Dimmable article	No
Directional	No
Tilting	No
Walk-over	No
Drive-over	No
Cable included	Yes
Electric socket	Type L
Cable length	2 m
Resin potting	No
Net weight	2.17 Kg

Finishing casing	
Material	ABS
Colour	Red RAL 3000
Processing	Powder coating

Finishing diffuser	
Material	Aluminium - Aluminium
Colour	White RAL 9016 - Red RAL 2002
Processing	Powder coating - Powder coating

Finishing base	
Material	AISI 304 steel
Colour	steel

Table Lamps | 220-240 V | 1x7W E27
8973

Single emission table lamps for indoor application. LED lamplamp included, lamp cap E27 1x7W.

The device body is made of ABS and features a red ral 3000 finish, processed by means of powder coating; the diffuser is made of aluminium with a powder coating treatment; the diffuser is made of aluminium with a powder coating treatment. The ingress protection degree is IP20; the total weight is of 2.17 kg.

The power supply cable is included and features a 2 m length.

The device features protection class II and can be floor-mounted.

Compliant with the EN 60598-1 standard and its specific provisions.

Energy efficiency class

This product contains a light source of energy efficiency class F.

Illuminotechnical Features

Source lumens	650 lm
Colour temperature	2700 K
Colour rendering index	80 Ra
Source lumens	1 x 650 lm