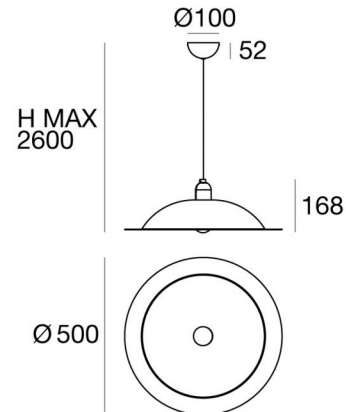


Pendant Luminaires | 220-240 V | 1x11W E27

8990



Technical data	
Designer	De Pas - D'urbino -
Construction year	1971
Type	Pendant Luminaires
Installation position	Ceiling
Installation environment	Indoor
Bulb included	Yes
Lamp cap	1 x E27
Light emission direction	downward
Frequency	50-60 Hz
Optics	Diffused
Safety class	1
IP	IP20
Glow wire test	650°
Direct mounting on normally flammable surfaces	Yes
CE	Yes
Dimmable article	No
Directional	No
Tilting	No
Walk-over	No
Drive-over	No
Cable included	Yes
Cable length	2.5 m
Resin potting	No
Net weight	1.44 Kg

Finishing diffuser

Material	Aluminium - Aluminium
Colour	RAL 1003 Yellow - White RAL 9016
Processing	Powder coating - Powder coating

Finishing mounting frame

Material	metal
Colour	White RAL 9016
Processing	Coating

Pendant Luminaires | 220-240 V | 1x11W E27
8990

Single emission pendant luminaires for indoor application. LED lamplamp included, lamp cap E27 1x11W.

The diffuser is made of aluminium with a powder coating treatment the diffuser is made of aluminium with a powder coating treatment; the mounting frame is made of metal, with a white ral 9016 finish, processed by means of coating. The ingress protection degree is IP20; the total weight is of 1.44 kg.

The power supply cable is included and features a 2.5 m length.

The device features protection class I and can be ceiling-mounted.

Compliant with the EN 60598-1 standard and its specific provisions.

Energy efficiency class

This product contains a light source of energy efficiency class A+.

Illuminotechnical Features

Source lumens	1520 lm
Colour temperature	2700 K
Colour rendering index	80 Ra
Source lumens	1 x 1520 lm