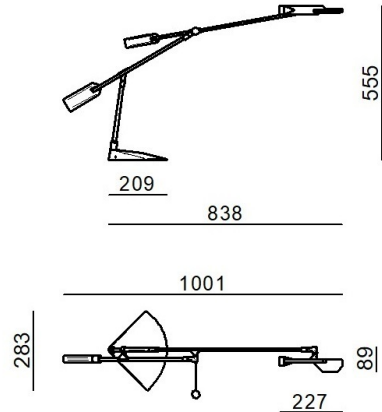


Table Lamps | 230-240 V  
16 topLED 8 W DC - 9 W AC | CRI 90  
**9587**



Technical data	
Type	Table Lamps
Installation position	Floor
Installation environment	Indoor
Light Source	LED
Circuit structure	topLED
Optics	Diffused
Light emission direction	downward
Nominal power	8 W DC
Total Power	9 W
Source lumens	1118 lm
Nominal input voltage	220 - 240 V AC
Input voltage range	230 - 240 V AC
Frequency	50 - 60 Hz
CCT / Tone	3000 K
Colour rendering index	90 Ra
C.C. / C.V.	AC
Safety class	2
IP	IP20
Glow wire test	850°
Direct mounting on normally flammable surfaces	Yes
CE	Yes
Driver included	Driver
Dimmable article	Touchless Dimmer
Directional	Swivelling
total angle (vertical plane)	360 °
total angle (horizontal plane)	360 °
Tilting	No
Walk-over	No
Drive-over	No
Cable included	Yes
Electric socket	Type C
Cable length	3 m
Resin potting	No
Type of light emission	Single emission
Net weight	7.000 Kg
Electrostatic discharge protection	No
Surge protection	No

Finishing casing	
Material	Aluminium
Finishing diffuser	
Material	PC
Colour	transparent
Finishing base	
Material	Zamak
Colour	Black
Processing	Coating

Table Lamps | 230-240 V | 16 topLED 8 W DC - 9 W AC | CRI 90 | Base 9587

Single emission table lamps for indoor application. The warm white LED light source with a diffused light distribution is composed of 16 topLEDs with CCT of 3000 K and a CRI 90; the source luminous flux is 1118 lm, with a 139.8 lm/W nominal luminous efficacy.

The device body is made of aluminium; the diffuser is made of PC. The ingress protection degree is IP20; the total weight is of 7.000 kg.

The total absorbed power is 9 W The power supply cable is included and features a 3 m length.

The device features protection class II and can be floor-mounted.

Compliant with the EN 60598-1 standard and its specific provisions.

**Energy efficiency class**

This product contains a light source of energy efficiency class E.

**Illuminotechnical Features**

Light Output Ratio (LOR)	50 %
Source lumens	1118 lm
Delivered lumens	566 lm
Consumption	9 W
Luminaire efficacy	62 lm/W
Colour temperature	3000 K
Standard Deviation of Colour Matching	3 Step MacAdam
Colour rendering index	90 Ra
Junction temperature (lighting fixture)	80
Standard Operating Ambient Temperature	25°C

**LED Life / Failure Ratio**

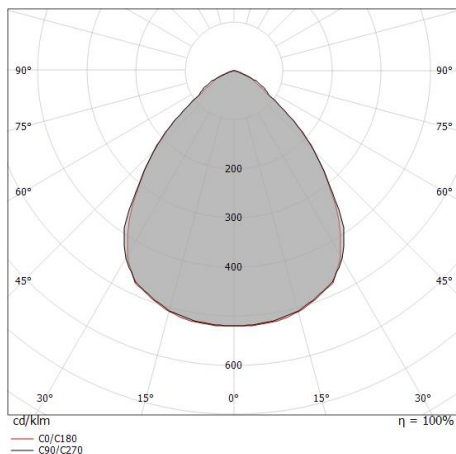
L70 B20 C0 72500h (at Tj 115 Ta 25 )

**UGR**

UGR axial	25.6
UGR transversal	25.3
X=4H   Y=8H	S=0.25H
Reflection factor	70/50/20

**OPTICAL**

C0/C180 optics	86°
Light distribution symmetry	Symmetrical



Distance [m]	Cone diameter [m]	Illuminance [lx]	E(0°)	E(C90)	E(C0)
0.5	0.93	1177	42.9°	232	234
1.0	1.86	294	42.9°	58	58
1.5	2.79	131	42.9°	26	26
2.0	3.72	74	42.9°	15	15
2.5	4.65	47	42.9°	9	9
3.0	5.58	33	42.9°	6	6

Distance [m]      Cone diameter [m]      Illuminance [lx]

— C0/C180 (Half-peak divergence: 85.6°)  
 — C90/C270 (Half-peak divergence: 85.8°)