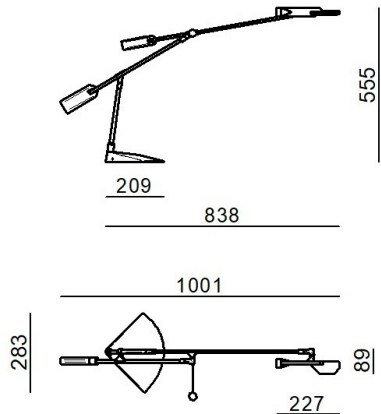


Table Lamps | 230-240 V  
16 topLED 8 W DC - 9 W AC | CRI 90

**9586**



Technical data	
Type	Table Lamps
Installation position	Floor
Installation environment	Indoor
Light Source	LED
Circuit structure	topLED
Optics	Diffused
Light emission direction	downward
Nominal power	8 W DC
Total Power	9 W
Source lumens	1118 lm
Nominal input voltage	220 - 240 V AC
Input voltage range	230 - 240 V AC
Frequency	50 - 60 Hz
CCT / Tone	3000 K
Colour rendering index	90 Ra
C.C. / C.V.	AC
Safety class	2
IP	IP20
Glow wire test	850°
Direct mounting on normally flammable surfaces	Yes
CE	Yes
Driver included	Driver
Dimmable article	Touchless Dimmer
Directional	Swivelling
total angle (vertical plane)	360 °
total angle (horizontal plane)	360 °
Tilting	No
Walk-over	No
Drive-over	No
Cable included	Yes
Electric socket	Type C
Cable length	3 m
Resin potting	No
Type of light emission	Single emission
Net weight	7.000 Kg
Electrostatic discharge protection	No
Surge protection	No

**Finishing casing**

Material	Aluminium
Colour	Black
Processing	Coating

**Finishing diffuser**

Material	PC
Colour	transparent

**Finishing base**

Material	Zamak
Colour	Black
Processing	Coating

Table Lamps | 230-240 V | 16 topLED 8 W DC - 9 W AC | CRI 90 | Base 9586

Single emission table lamps for indoor application. The warm white LED light source with a diffused light distribution is composed of 16 topLEDs with CCT of 3000 K and a CRI 90; the source luminous flux is 1118 lm, with a 139.8 lm/W nominal luminous efficacy.

The device body is made of aluminium and features a black finish, processed by means of coating; the diffuser is made of PC. The ingress protection degree is IP20; the total weight is of 7.000 kg.

The total absorbed power is 9 W The power supply cable is included and features a 3 m length.

The device features protection class II and can be floor-mounted.

Compliant with the EN 60598-1 standard and its specific provisions.

**Energy efficiency class**

This product contains a light source of energy efficiency class E.

**Illuminotechnical Features**

Light Output Ratio (LOR)	50 %
Source lumens	1118 lm
Delivered lumens	566 lm
Consumption	9 W
Luminaire efficacy	62 lm/W
Colour temperature	3000 K
Standard Deviation of Colour Matching	3 Step MacAdam
Colour rendering index	90 Ra
Junction temperature (lighting fixture)	80
Standard Operating Ambient Temperature	25°C

**LED Life / Failure Ratio**

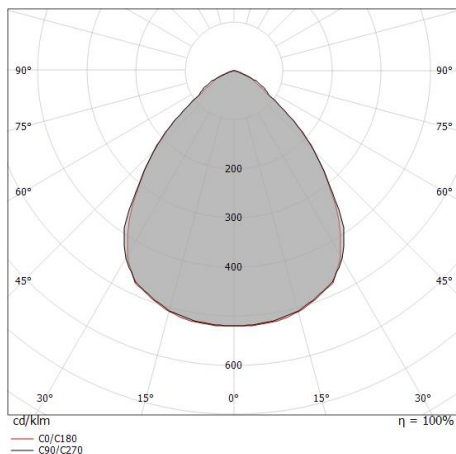
L70 B20 C0 72500h (at Tj 115 Ta 25 )

**UGR**

UGR axial	25.6
UGR transversal	25.3
X=4H   Y=8H	S=0.25H
Reflection factor	70/50/20

**OPTICAL**

C0/C180 optics	86°
Light distribution symmetry	Symmetrical



Distance [m]	Cone diameter [m]	Illuminance [lx]	E(0°)	E(C90)	E(C0)
0.5	0.93	1177	42.9°	232	234
1.0	1.86	294	42.9°	58	58
1.5	2.79	131	42.9°	26	26
2.0	3.72	74	42.9°	15	15
2.5	4.65	47	42.9°	9	9
3.0	5.58	33	42.9°	6	6

— C0/C180 (Half-peak divergence: 85.6°)  
 — C90/C270 (Half-peak divergence: 85.8°)