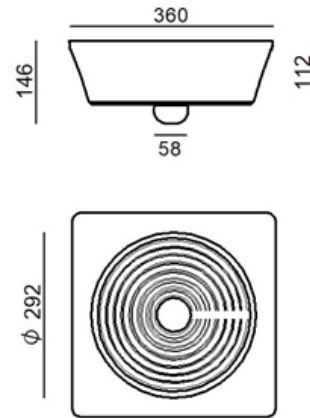


Wall Lights | 220-240 V | 1x7W E27

**9734**



Technical data	
Type	Wall Lights
Installation position	Wall lights - Ceiling
Installation environment	Indoor
Bulb included	Yes
Lamp cap	1 x E27
Frequency	50-60 Hz
Optics	Diffused
Safety class	1
IP	IP20
Glow wire test	850°
Direct mounting on normally flammable surfaces	Yes
CE	Yes
Dimmable article	No
Directional	No
Tilting	No
Walk-over	No
Drive-over	No
Cable included	No
Resin potting	No
Net weight	0.900 Kg

**Finishing casing**

Material	Aluminium - PMMA
Colour	White RAL 9016
Processing	Coating

**Finishing mounting frame**

Material	Aluminium
Colour	white
Processing	Coating

Wall Lights | 220-240 V | 1x7W E27  
**9734**

Single emission wall lights for indoor application. LED lamplamp included, lamp cap E27 1x7W.

The device body is made of aluminium and features a white ral 9016 finish, processed by means of coating. The device body is made of pmma; the mounting frame is made of aluminium, with a white finish, processed by means of coating. The ingress protection degree is IP20; the total weight is of 0.900 kg.

The device features protection class I and can be wall lights or ceiling-mounted.

Compliant with the EN 60598-1 standard and its specific provisions.

#### Energy efficiency class

This product contains a light source of energy efficiency class F.

#### Illuminotechnical Features

Source lumens	650 lm
Colour temperature	2700 K
Colour rendering index	80 Ra
Source lumens	1 x 650 lm
Standard Operating Ambient Temperature	25°C

Goletta | Wall Lights | Accessories  
**9734**

Bracket  
installation position: wall lights

**Code**  
Kit0111