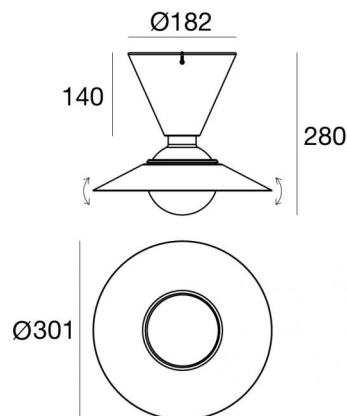


Ceiling Downlights | 220-240 V | 1x11W E27

**8969**



Technical data	
Designer	De Pas - D'urbino -
Construction year	1978
Type	Ceiling Downlights
Installation position	Ceiling
Installation environment	Indoor
Bulb included	Yes
Lamp cap	1 x E27
Light emission direction	downward and upward
Frequency	50-60 Hz
Optics	Diffused
Safety class	1
IP	IP20
Glow wire test	850°
Direct mounting on normally flammable surfaces	Yes
CE	Yes
Dimmable article	No
Directional	No
Tilting	No
Walk-over	No
Drive-over	No
Cable included	No
Electric socket	Type L
Resin potting	No
Net weight	1.195 Kg

Finishing diffuser	
Material	Aluminium
Colour	White
Processing	Coating

Finishing base	
Material	PU
Processing	Powder coating

Ceiling Downlights | 220-240 V | 1x11W E27  
**8969**

Single emission ceiling downlights for indoor application. LED lamplamp included, lamp cap E27 1x11W.

The diffuser is made of aluminium with a coating treatment. The ingress protection degree is IP20; the total weight is of 1.195 kg.

The device features protection class I and can be ceiling-mounted.

Compliant with the EN 60598-1 standard and its specific provisions.

#### Energy efficiency class

This product contains a light source of energy efficiency class D.

#### Illuminotechnical Features

Source lumens	1520 lm
Colour temperature	2700 K
Colour rendering index	80 Ra
Source lumens	1 x 1520 lm