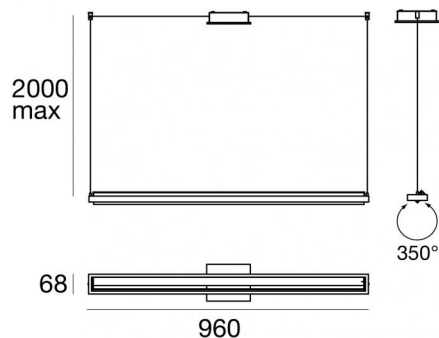
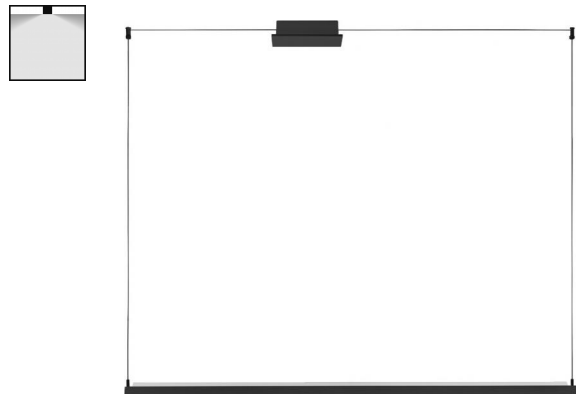


Pendant Luminaires | 220-240 V
3 topLED 23 W DC - 23 W AC | CRI 90

8476



Technical data	
Construction year	2018
Type	Surface
Installation position	Ceiling
Installation environment	Indoor
Light Source	LED
Circuit structure	topLED
Optics	Diffused
Light emission direction	downward
Nominal power	23 W DC
Total Power	23 W
Source lumens	2719 lm
Nominal input voltage	220 - 240 V AC
Input voltage range	220 - 240 V AC
Frequency	60 - 50 Hz
CCT / Tone	3000 K
Colour rendering index	90 Ra
C.C. / C.V.	AC
Safety class	1
IP	IP20
Glow wire test	850°
Direct mounting on normally flammable surfaces	Yes
CE	Yes
Driver included	Driver
Dimmable article	Phase cut
Directional	Swivelling
total angle (vertical plane)	0 °
total angle (horizontal plane)	350 °
Tilting	No
Walk-over	No
Drive-over	No
Cable included	Yes
Cable length	5 m
Resin potting	No
Type of light emission	Single emission
Net weight	2.2 Kg
Electrostatic discharge protection	No
Surge protection	No

Finishing casing	
Material	Aluminium
Colour	Black
Processing	Coating

Finishing diffuser	
Material	PC
Colour	opaline

Pendant Luminaires | 220-240 V | 3 topLED 23 W DC - 23 W AC | CRI 90 | Base 8476

Single emission pendant luminaires for indoor application. The warm white LED light source with a diffused light distribution is composed of 108 topLEDs with CCT of 3000 K and a CRI 90; the source luminous flux is 2719 lm, with a 118.2 lm/W nominal luminous efficacy.

The device body is made of aluminium and features a black finish, processed by means of coating; the diffuser is made of PC. The ingress protection degree is IP20; the total weight is of 2.2 kg.

The total absorbed power is 23 W The power supply cable is included and features a 5 m length.

The device features protection class I and can be ceiling-mounted.

Compliant with the EN 60598-1 standard and its specific provisions.

Energy efficiency class

This product contains 3 light sources of energy efficiency class D.

Illuminotechnical Features

Light Output Ratio (LOR)	56 %
Source lumens	2719 lm
Delivered lumens	1535 lm
Consumption	23 W
Luminaire efficacy	66 lm/W
Colour temperature	3000 K
Standard Deviation of Colour Matching	3 Step MacAdam
Colour rendering index	90 Ra
Junction temperature (lighting fixture)	80
Standard Operating Ambient Temperature	25°C

LED Life / Failure Ratio

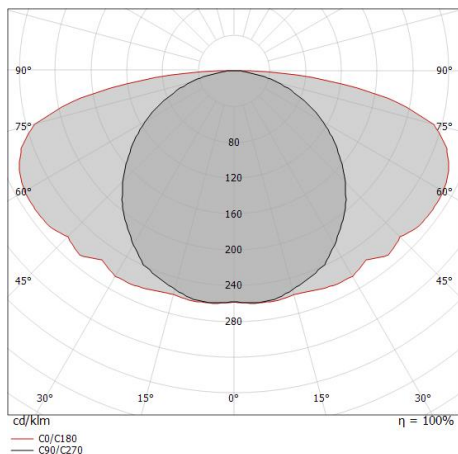
L80 B20 C0 80000h

UGR

UGR axial	17.4
UGR transversal	18.8
X=4H Y=8H	S=0.25H
Reflection factor	70/50/20

OPTICAL

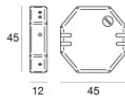
C90/C270 optics	113°
C0/C180 optics	164°
Light distribution simmetry	Symmetrical 2 assis



Distance [m]	Cone diameter [m]	illuminance [lx]
0.5	1.51 7.30	E(0°) 1586 E(C90) 136 E(C0) 2
1.0	3.01 14.60	E(0°) 396 E(C90) 34 E(C0) 1
1.5	4.52 21.90	E(0°) 176 E(C90) 15 E(C0) 0
2.0	6.02 29.20	E(0°) 99 E(C90) 8 E(C0) 0
2.5	7.53 36.50	E(0°) 63 E(C90) 5 E(C0) 0
3.0	9.03 43.80	E(0°) 44 E(C90) 4 E(C0) 0

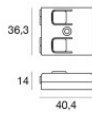
— C0/C180 (Half-peak divergence: 164.4°)
— C90/C270 (Half-peak divergence: 112.8°)

Tablet_P1 | Pendant Luminaires | Accessories
8476



Dimmer - Phase cut (Max 100W) - Essential for dimming the lamp
 220-240V

Code
KIT0026



Dimmer - Phase cut CASAMBI - Essential for dimming the lamp with Casambi
 Radio-frequenza, 85-240V

Code
KIT0080