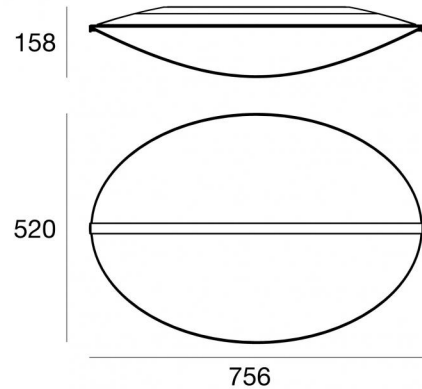


Ceiling Downlights | 220-240 V  
3 topLED 38 W DC - 40 W AC | CRI 90



**8167M**



Technical data	
Construction year	2018
Type	Surface
Installation position	Ceiling
Installation environment	Indoor
Light Source	LED
Circuit structure	topLED
Optics	Diffused
Light emission direction	downward
Nominal power	38 W DC
Total Power	40 W
Source lumens	4064 lm
Nominal input voltage	220 - 240 V AC
Input voltage range	220 - 240 V AC
Frequency	60 - 50 Hz
CCT / Tone	2700 K
Colour rendering index	90 Ra
C.C. / C.V.	AC
Safety class	1
IP	IP20
Glow wire test	650°
Direct mounting on normally flammable surfaces	Yes
CE	Yes
Driver included	Driver
Dimmable article	Phase cut
Directional	No
Tilting	No
Walk-over	No
Drive-over	No
Cable included	No
Resin potting	No
Type of light emission	Double emission
Net weight	3.045 Kg
Electrostatic discharge protection	No
Surge protection	No

**Finishing casing**

Material	Aluminium
Colour	White
Processing	Coating

**Finishing diffuser**

Material	PMMA
Colour	transparent
Processing	Laser engravings

**Finishing mounting frame**

Material	metal
Colour	White
Processing	Coating

Ceiling Downlights | 220-240 V | 3 topLED 38 W DC - 40 W AC | CRI 90 | Base 8167M

Double emission ceiling downlights for indoor application. The super warm white LED light source with a diffused light distribution is composed of 300 topLEDs with CCT of 2700 K and a CRI 90; the source luminous flux is 4064 lm, with a 106.9 lm/W nominal luminous efficacy.

The device body is made of aluminium and features a white finish, processed by means of coating; the diffuser is made of pmma with a laser engravings treatment; the mounting frame is made of metal, with a white finish, processed by means of coating. The ingress protection degree is IP20; the total weight is of 3.045 kg.

The total absorbed power is 40 W

The device features protection class I and can be ceiling-mounted.

Compliant with the EN 60598-1 standard and its specific provisions.

**Energy efficiency class**

This product contains 3 light sources of energy efficiency class E.

**Illuminotechnical Features**

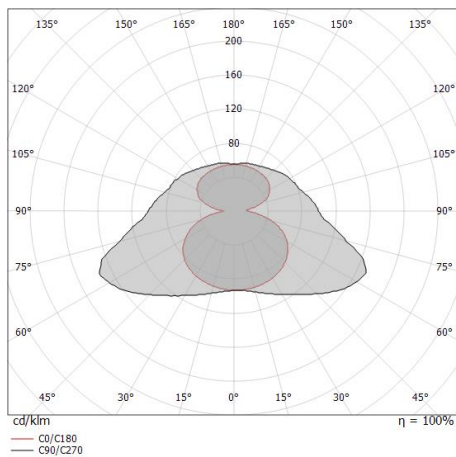
Light Output Ratio (LOR)	95 %
Source lumens	4064 lm
Delivered lumens	3867 lm
Consumption	40 W
Luminaire efficacy	96 lm/W
Colour temperature	2700 K
Standard Deviation of Colour Matching	3 Step MacAdam
Colour rendering index	90 Ra
Junction temperature (lighting fixture)	80
Standard Operating Ambient Temperature	25°C

**LED Life / Failure Ratio**

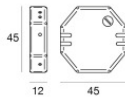
L80 B20 C0 80000h

**OPTICAL**

C90/C270 optics	180°
Light distribution simmetry	Asymmetrical



Diphy\_S | Ceiling Downlights | Accessories  
**8167M**



Dimmer - Phase cut (Max 100W) - Essential for dimming the lamp  
 220-240V

**Code**  
KIT0026



Dimmer - Phase cut CASAMBI - Essential for dimming the lamp with Casambi  
 Radio-frequenza, 85-240V

**Code**  
KIT0080