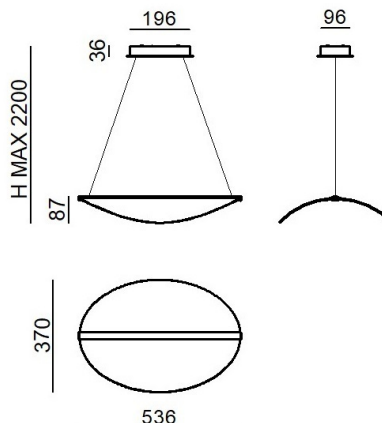
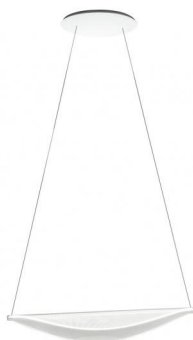


Pendant Luminaires | 2 topLED 20 W DC - 20 W AC

CRI 90

**8172M**



Technical data	
Construction year	2018
Type	Surface
Installation position	Ceiling
Installation environment	Indoor
Light Source	LED
Circuit structure	topLED
Optics	Diffused
Light emission direction	downward
Nominal power	20 W DC
Total Power	20 W
Source lumens	2426 lm
Nominal input voltage	220 - 240 V AC
CCT / Tone	2700 K
Colour rendering index	90 Ra
C.C. / C.V.	AC
Safety class	1
IP	IP20
Glow wire test	650°
Direct mounting on normally flammable surfaces	Yes
CE	Yes
Driver included	Driver
Dimmable article	Phase cut
Directional	No
Tilting	No
Walk-over	No
Drive-over	No
Cable included	Yes
Cable length	2.5 m
Resin potting	No
Type of light emission	Double emission
Net weight	1.8 Kg
Electrostatic discharge protection	No
Surge protection	No

**Finishing casing**

Material	Aluminium
Colour	White
Processing	Coating

**Finishing diffuser**

Material	PMMA
Colour	transparent
Processing	Laser engravings

**Finishing mounting frame**

Material	metal
Colour	White
Processing	Coating

Pendant Luminaires | 2 topLED 20 W DC - 20 W AC | CRI 90 | Base 8172M

Double emission pendant luminaires for indoor application. The super warm white LED light source with a diffused light distribution is composed of 200 topLEDs with CCT of 2700 K and a CRI 90; the source luminous flux is 2426 lm, with a 121.3 lm/W nominal luminous efficacy.

The device body is made of aluminium and features a white finish, processed by means of coating; the diffuser is made of pmma with a laser engravings treatment; the mounting frame is made of metal, with a white finish, processed by means of coating. The ingress protection degree is IP20; the total weight is of 1.8 kg.

The total absorbed power is 20 W The power supply cable is included and features a 2.5 m length.

The device features protection class I and can be ceiling-mounted.

Compliant with the EN 60598-1 standard and its specific provisions.

**Energy efficiency class**

This product contains 2 light sources of energy efficiency class E.

**Illuminotechnical Features**

Light Output Ratio (LOR)	76 %
Source lumens	2426 lm
Delivered lumens	1863 lm
Consumption	20 W
Luminaire efficacy	93 lm/W
Colour temperature	2700 K
Standard Deviation of Colour Matching	3 Step MacAdam
Colour rendering index	90 Ra
Junction temperature (lighting fixture)	80
Standard Operating Ambient Temperature	25°C

**LED Life / Failure Ratio**

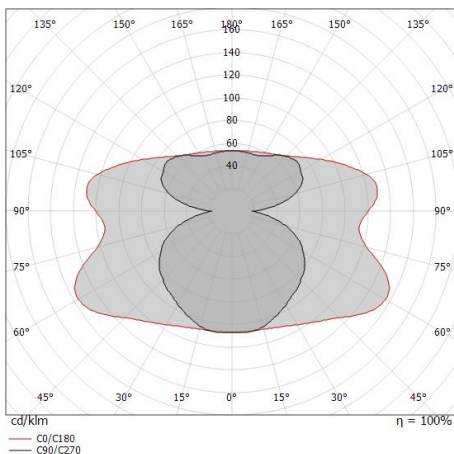
L80 B20 C0 80000h

**UGR**

UGR axial	16.2
UGR transversal	21.8
X=4H   Y=8H	S=0.25H
Reflection factor	70/50/20

**OPTICAL**

C90/C270 optics	145°
C0/C180 optics	180°
Light distribution symmetry	Symmetrical 2 assis



Diphy\_P1 | Pendant Luminaires | Accessories  
**8172M**



Dimmer - Phase cut (Max 100W) - Essential for dimming the lamp  
 220-240V

**Code**  
KIT0026



Dimmer - Phase cut CASAMBI - Essential for dimming the lamp with Casambi  
 Radio-frequenza, 85-240V

**Code**  
KIT0080