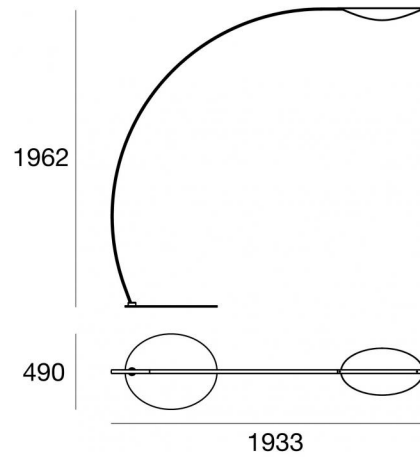


Floor Lamp | 220-240 V
2 topLED 25 W DC - 30 W AC | CRI 90
8165



| Technical data | |
|------------------------------------------------|---------------------|
| Construction year | 2016 |
| Type | Floor Lamp |
| Installation position | Floor |
| Installation environment | Indoor |
| Light Source | LED |
| Circuit structure | topLED |
| Optics | Diffused |
| Light emission direction | downward and upward |
| Nominal power | 25 W DC |
| Total Power | 30 W |
| Source lumens | 3294 lm |
| Nominal input voltage | 220 - 240 V AC |
| Input voltage range | 220 - 240 V AC |
| Frequency | 60 - 50 Hz |
| CCT / Tone | 3000 K |
| Colour rendering index | 90 Ra |
| C.C. / C.V. | AC |
| Safety class | 1 |
| IP | IP20 |
| Optical compartment IP | IP40 |
| Glow wire test | 650° |
| Direct mounting on normally flammable surfaces | Yes |
| CE | Yes |
| Driver included | Driver |
| Dimmable article | PUSH DIM |
| Directional | No |
| Tilting | No |
| Walk-over | No |
| Drive-over | No |
| Cable included | Yes |
| Electric socket | Type F+E |
| Cable length | 2.5 m |
| Resin potting | No |
| Type of light emission | Double emission |
| Net weight | 19.040 Kg |
| Electrostatic discharge protection | No |
| Surge protection | No |

| Finishing casing | |
|------------------|-----------|
| Material | Aluminium |
| Colour | White |
| Processing | Coating |

| Finishing diffuser | |
|--------------------|------------------|
| Material | PMMA |
| Colour | transparent |
| Processing | Laser engravings |

| Finishing mounting frame | |
|--------------------------|---------|
| Material | metal |
| Colour | White |
| Processing | Coating |

Floor Lamp | 220-240 V | 2 topLED 25 W DC - 30 W AC | CRI 90 | Base 8165

Double emission floor lamp for indoor application. The warm white LED light source with a diffused light distribution is composed of 200 topLEDs with CCT of 3000 K and a CRI 90; the source luminous flux is 3294 lm, with a 131.8 lm/W nominal luminous efficacy.

The device body is made of aluminium and features a white finish, processed by means of coating; the diffuser is made of pmma with a laser engravings treatment; the mounting frame is made of metal, with a white finish, processed by means of coating. The ingress protection degree is IP20; the total weight is of 19.040 kg.

The total absorbed power is 30 W The power supply cable is included and features a 2.5 m length.

The device features protection class I and can be floor-mounted.

Compliant with the EN 60598-1 standard and its specific provisions.

Energy efficiency class

This product contains 2 light sources of energy efficiency class E.

Illuminotechnical Features

| | |
|-----------------------------------------|----------------|
| Light Output Ratio (LOR) | 75 % |
| Source lumens | 3294 lm |
| Delivered lumens | 2489 lm |
| Consumption | 30 W |
| Luminaire efficacy | 82 lm/W |
| Colour temperature | 3000 K |
| Standard Deviation of Colour Matching | 3 Step MacAdam |
| Colour rendering index | 90 Ra |
| Junction temperature (lighting fixture) | 80 |
| Standard Operating Ambient Temperature | 25°C |

LED Life / Failure Ratio

L80 B20 C0 80000h

OPTICAL

| | |
|-----------------------------|--------------|
| C0/C180 optics | 180° |
| Light distribution simmetry | Asymmetrical |

