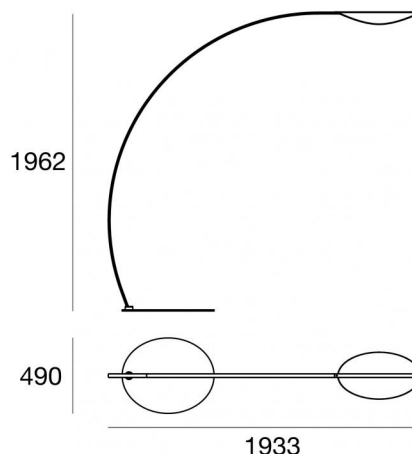


Floor Lamp | 220-240 V  
2 topLED 25 W DC - 30 W AC | CRI 90

**8165M**



Technical data	
Construction year	2016
Type	Floor Lamp
Installation position	Floor
Installation environment	Indoor
Light Source	LED
Circuit structure	topLED
Optics	Diffused
Light emission direction	downward and upward
Nominal power	25 W DC
Total Power	30 W
Source lumens	3063 lm
Nominal input voltage	220 - 240 V AC
Input voltage range	220 - 240 V AC
Frequency	60 - 50 Hz
CCT / Tone	2700 K
Colour rendering index	90 Ra
C.C. / C.V.	AC
Safety class	1
IP	IP20
Optical compartment IP	IP40
Glow wire test	650°
Direct mounting on normally flammable surfaces	Yes
CE	Yes
Driver included	Driver
Dimmable article	PUSH DIM
Directional	No
Tilting	No
Walk-over	No
Drive-over	No
Cable included	Yes
Electric socket	Type F+E
Cable length	2.5 m
Resin potting	No
Type of light emission	Double emission
Net weight	19.040 Kg
Electrostatic discharge protection	No
Surge protection	No

Finishing casing	
Material	Aluminium
Colour	White
Processing	Coating

Finishing diffuser	
Material	PMMA
Colour	transparent
Processing	Laser engravings

Finishing mounting frame	
Material	metal
Colour	White
Processing	Coating

Floor Lamp | 220-240 V | 2 topLED 25 W DC - 30 W AC | CRI 90 | Base 8165M

Double emission floor lamp for indoor application. The super warm white LED light source with a diffused light distribution is composed of 200 topLEDs with CCT of 2700 K and a CRI 90; the source luminous flux is 3063 lm, with a 122.5 lm/W nominal luminous efficacy.

The device body is made of aluminium and features a white finish, processed by means of coating; the diffuser is made of pmma with a laser engravings treatment; the mounting frame is made of metal, with a white finish, processed by means of coating. The ingress protection degree is IP20; the total weight is of 19.040 kg.

The total absorbed power is 30 W The power supply cable is included and features a 2.5 m length.

The device features protection class I and can be floor-mounted.

Compliant with the EN 60598-1 standard and its specific provisions.

**Energy efficiency class**

This product contains 2 light sources of energy efficiency class E.

**Illuminotechnical Features**

Light Output Ratio (LOR)	75 %
Source lumens	3063 lm
Delivered lumens	2315 lm
Consumption	30 W
Luminaire efficacy	77 lm/W
Colour temperature	2700 K
Standard Deviation of Colour Matching	3 Step MacAdam
Colour rendering index	90 Ra
Junction temperature (lighting fixture)	80
Standard Operating Ambient Temperature	25°C

**LED Life / Failure Ratio**

L80 B20 C0 80000h

**OPTICAL**

C0/C180 optics	180°
Light distribution simmetry	Asymmetrical

